
BERTAZZONI PROFESSIONAL SERIES

30" VENTILATION MICROWAVE OVEN

KOTR30X

HIGHLIGHTS

- 1.6 cu ft microwave designed to be located above the cooktop or range, combining a high powered microwave oven with an integrated, multi stage range hood function.
- Styled to match with Bertazzoni Professional and Master Series products, it is finished in stainless steel with a black glass door.
- The oven has ten power levels and controls that include pre-set functions, cooking timer and sensor controls for reheating and defrosting.

FEATURES

Design	stainless steel front and black glass window
Power levels	10
Microwave Output power	1000 W
Oven volume	1.6 ft ³
Turntable	Ø 13.6"
Cavity finishing	enameled white
Sensor reheat, defrost	yes
Timer	yes
Max Extraction Power	300 CFM
Speed	2, high level 300CFM - low level 190CFM
Lights	3 lights, one in the cavity – two on the base plate

TECHNICAL SPECIFICATIONS

Voltage, frequency	120 V 60 Hz
Max Amp usage, power rating	10 A - 1000 W
Plug	included
Certification	UL
Warranty	2 years parts and labor

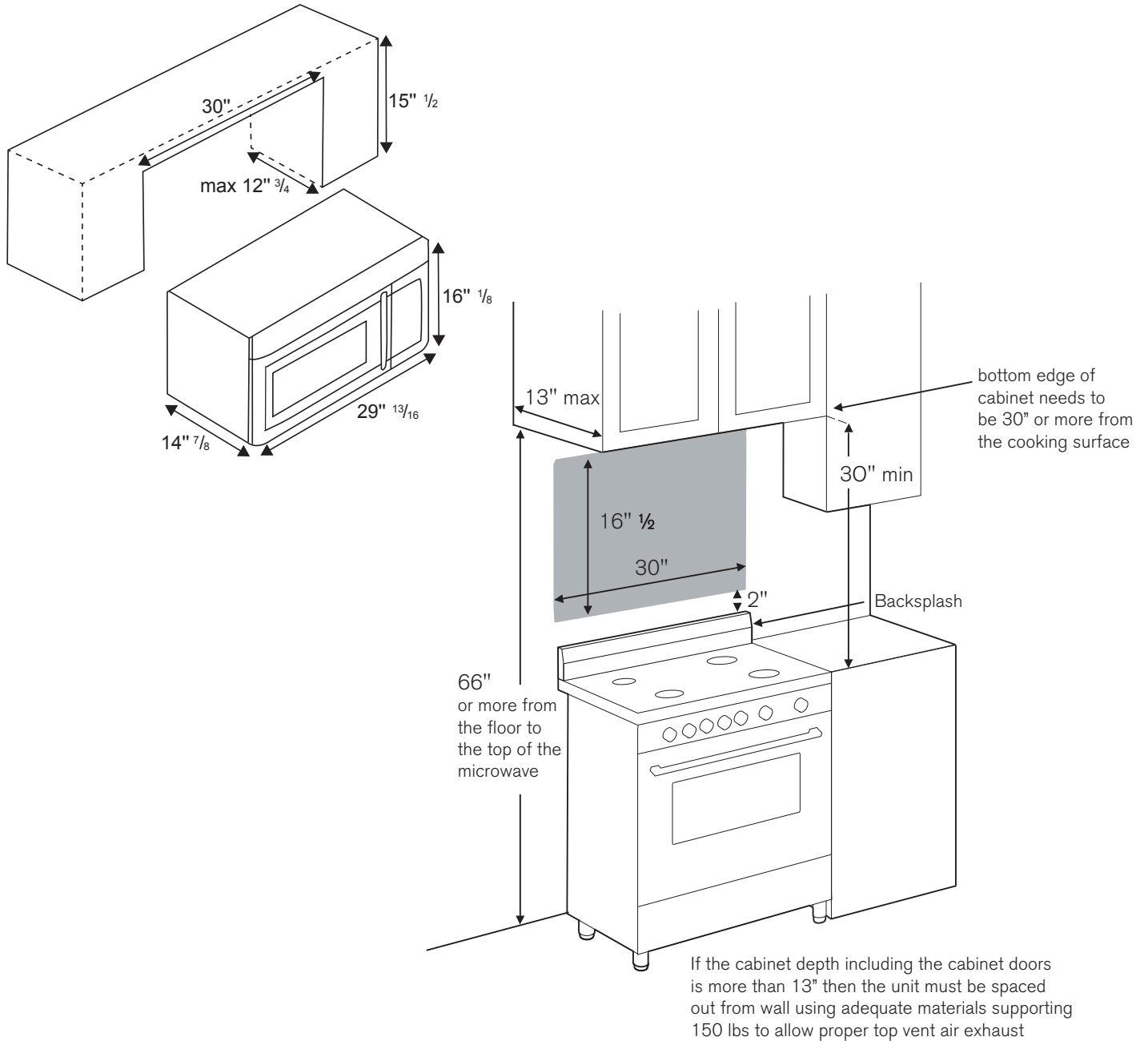
Includes kit for recirculation mode



TO COOK BEAUTIFULLY
WWW.BERTAZZONI.COM

INSTALLATION INSTRUCTIONS

KOTR30X



Bertazzoni recommends to operate the appliance after it has been installed in a cabinet. The kitchen cabinets shall be made of materials capable of withstanding temperatures at least 117°F (65°C) above room temperature in order to avoid possible damage to the cabinets during oven usage. For further installation instructions refer to the installation manual.

Disclaimer: while every effort has been made to insure the accuracy of the information contained in this brochure, Fratelli Bertazzoni reserves the right to change any part of the information at any time without notice.

Fratelli Bertazzoni, Bertazzoni and the winged wheel brand icon are registered trademarks of Bertazzoni Spa.