

24" Bar Handle Dishwasher

SHX3AR75UC

Stainless steel



Features and Benefits

Key Features

- 50 dBA- Quietest Dishwasher Brand.
- Saves up to 280 gallons of water each year
- Self-Latching Door Stays Put and Latches
- Delicate Wash for Fine China

Design

- Stainless Steel TallTub w/ *PP
- Silver Colored Fascia in Stainless Steel

Performance

- 50 dBA- Quietest Dishwasher Brand.
- 6 Wash Cycles and 2 Options
- Sanitize Option eliminates bacteria and enhances drying results
- Variable Spray Pressure

Efficiency

- Saves up to 280 gallons of water each year
- 269 kwh/yr - Energy Star®
- Exceeds ENERGY STAR Requirements for Water by 69%
- EcoSense™ Reduces Energy Usage by up to 20%

Convenience

- Bosch Exclusive 24/7 Overflow Leak Protection
- 3 h, 6 h, 9 h Delay Start Timer
- Express Wash - In 30 Minutes or Less
- Delicate Wash for Fine China
- Self-Latching Door Stays Put and Latches

Capacity

- 14 Place Setting Capacity



Notes: All height, width and depth dimensions are shown in inches. *Please refer to installation instructions prior to making cutout. BSH reserves the absolute and unrestricted right to change product materials and specifications, at any time, without notice. Consult the product's installation instructions for final dimensional data and other details. Applicable product warranty can be found in a accompanying product literature or you may contact your account manager for further details.

For more information on our entire line of products, go to boschappliances.com or call 1-800-944-2904.
Copyright ©2017 BSH Home Appliances Corporation. All rights reserved. Bosch is a registered trademark of Robert Bosch GmbH.

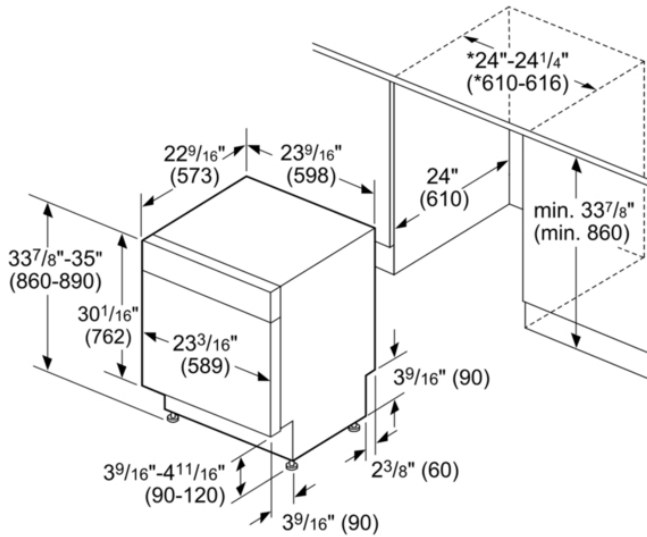
Litho Date: 08/2017



24" Bar Handle Dishwasher

SHX3AR75UC

Stainless steel



*23⁵/₈" (600) without decor strips

measurements in inches (mm)

Features

Watts (W)	1400
Current (A)	12
Volts (V)	120
Frequency (Hz)	60
Power Cord Length	
Minimum Water Pressure (lb/sin)	15.0
Length inlet hose (in)	
Length outlet hose (in)	90 1/2 "
Overall appliance dimensions (HxWxD) (in)	33 7/8 " x 23 9/16 "
Required cutout size (HxWxD) (in)	x 33 7/8 " x 23 9/16 "
Adjustable feet	Yes

Technical Specification

Number of wash cycles	2
Number of options	6
Third Rack	None
Tub material	Plastic
Concealed heating element	Yes
Leak protection system	24/7 Overflow Protection
Five-level wash	Yes
Water softener	No
ChildLock	No
Total annual energy consumption (kWh)	269
Energy Efficiency Class	Tier 1
Energy Star® qualified	Yes
Total annual energy consumption (kWh)	688.0
Total annual water consumption (g)	688
Number of place settings	14

Notes: All height, width and depth dimensions are shown in inches. *Please refer to installation instructions prior to making cutout. BSH reserves the absolute and unrestricted right to change product materials and specifications, at any time, without notice. Consult the product's installation instructions for final dimensional data and other details. Applicable product warranty can be found in a accompanying product literature or you may contact your account manager for further details.

For more information on our entire line of products, go to boschappliances.com or call 1-800-944-2904.
Copyright ©2017 BSH Home Appliances Corporation. All rights reserved. Bosch is a registered trademark of Robert Bosch GmbH.

Litho Date: 08/2017

